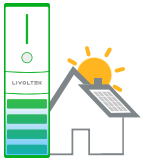


# LIVOLTEK



## All-in-one Energy Storage System

Hyper-3000(A)/3680(A)/4600(A)/5000(A)/6000(A)

The LIVOLTEK All-in-one ESS combines a hybrid inverter and low-voltage batteries to help you reduce your electricity bills while maximize energy independence from the grid. It is packed with benefits such as greater energy harvest from PV modules, compact design saving your space, and its slim appearance fits your house aesthetics. In addition, plug&play and free online monitoring enable faster installations, quicker site mapping to the monitoring platform and easier maintenance with minimized efforts.

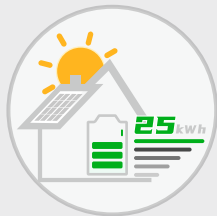


### Features

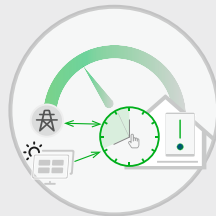
- Flexible and easy to expand
- Natural cooling, extremely quiet
- 150% oversized, 150% yield
- Smart and easy operation
- Intelligent charging and active balance
- Fanless design, quiet and long lifespan



Elegant Modular and Unified Design



Flexible Storage Capacity up to 25 kWh



Export Control and Time-of-use Shifting



Maximized Self-consumption

### Compatible Products



Residential Lithium Battery



Smart EV Charger



Wi-Fi Dongle



Smart Meter



Monitoring System

# Specifications

Inverter Model	Hyper-3000	Hyper-3680	Hyper-4600	Hyper-5000	Hyper-6000
<b>PV Input</b>					
Max. PV Input Power	4500Wp	5520Wp	6900Wp	7500Wp	7500Wp
Max. PV Input Voltage	600V				
MPPT Voltage Range	125~550V				
Max. PV Current	14A	14/14A	14/14A	14/14A	14/14A
Max. Short Circuit Current	17.5A	17.5/17.5A	17.5/17.5A	17.5/17.5A	17.5/17.5A
No. of MPPTs/Strings per MPPT	1/1	2/1	2/1	2/1	2/1
<b>AC Output @ Grid</b>					
AC Input Voltage Range/Frequency	186~290Vac/50Hz or 60Hz				
Nominal AC Power	3000W	3680W	4600W	5000W	6000W
Nominal AC Current	13.0A	16.0A	20.0A	21.7A	26.1A
THDi, Rated Power[%]	<3%				
<b>EPS Output @ Off Grid</b>					
EPS Output Voltage/Frequency	220Vac/50Hz or 60Hz				
Continuous Output Power (@25C )	3kVA	3.68kVA	4.6kVA	5kVA	6kVA
EPS Output Current	13.0A	16.0A	20.0A	21.7A	26.1A
Peak Power	1.1 x Pnom, 60 Sec; 1.5 x Pnom, 100ms				
Power Factor	~1 (Adjustable from 0.8 Leading to 0.8 Lagging)				
Waveform	Pure Sinusoidal Wave				
THDv, Rated Power[%]	<3%				
<b>Battery Input</b>					
Battery Type	Lithium Battery				
Battery Voltage	40~60V				
Galvanic Isolation for Battery	Yes				
Max.Charge Current of Inverter	60A	80A	100A	100A	125A
Max.Discharge Current of Inverter	60A	80A	100A	100A	125A
BMS Communication	CAN				
Protection	Over Voltage, Under Voltage, Over Current, Short Circuit, Over Temperature				
<b>Efficiency</b>					
Max. Efficiency	97.6%	97.8%			
Euro Efficiency	97.1%	97.4%			
<b>Battery Model</b>					
<b>BLF51-5</b>					
Cell Type	LFP				
Nominal Energy	5kWh				
Max. Depth of Discharge	90%				
Nominal Voltage	51.2V				
Operating Voltage Range	40-58.4V				
Nominal Capacity	100Ah				
Max. Charge Current	50A				
Max. Discharge Current	100A				
Scalability	Up to 5 Modules/25kWh				
<b>General Data</b>					
Dimension (W*H*D)	415*1380*165mm				
Weight	85kg	86kg	87kg	87kg	87kg
Standard Warranty	5 Years				



## Residential Lithium Battery

BLF51-5 LV Battery System: 51.2V100Ah

The BLF51-5 LV battery system is ideal for new installation of household energy storage. With high energy density and wall-mounted solution, BLF51-5 LV battery system is space-saving for indoor and outdoor installation. To serve increasing load requirement, the flexible expansion can fit your energy demand of today and tomorrow.



### Features

- Intelligent BMS with multiple protections
- Double and robust mechanical protection
- IP65 supporting indoor and outdoor installation
- Long cycle life and safest prismatic LFP batteries
- Reliable performance: high efficiency and 90% DOD
- Easy and quick installation and expansion with modular design



Safe to Use



Long Cycle Life



Modular Expansion



Flexible Integration

### Compatible Products



Hybrid Inverter



AC Coupled Inverter



Off-grid Hybrid Inverter



Monitoring System

## Specifications

Model	BLF51-5
Battery Type	LFP
Nominal Voltage	51.2V
Operating Voltage Range	43.2V~57.6V
Nominal Capacity	100Ah
Nominal Energy	5.12kWh
Depth of Discharge	90%
Usable Energy	4.6kWh
Dimension(W*H*D)	IP21: 415*662*178mm; IP65: 415*685*178mm
Weight	55kg
Max. Charge/Discharge Current	50A/100A
Operating Temperature	Charge: 0 C~50 C; Discharge: -10 C~55 C
Operating Humidity	5%~95%
Storage Temperature	-20 C~60 C
Operating Attitude	Below 4000m
Communication	RS485/CAN
Scalability	Up to 5 Modules/25kWh
Cooling Type	Natural
Ingress Protection	IP21/IP65
Cycle Life	6000 Cycles <sup>[1]</sup>
Standard Warranty	5 Years/10 Years (Optional)
Authentication Level	IEC62619/CE/UN38.3

[1]: Test conditions: 0.2C Charging/Discharging, @25 C, 80% DOD, 60% EOL.

# Hi-MO 6

Explorer

## LR5-54HTH 420~440M

- Suitable for Distribution Market
- Simple design embodies modern style
- Better energy generation performance
- High-quality module guarantees long-term reliability



15-year Warranty for  
Materials and Processing



25-year Warranty for Extra  
Linear Power Output

### Complete System and Product Certifications

IEC 61215, IEC 61730, UL 61730

ISO9001:2015: ISO Quality Management System

ISO14001: 2015: ISO Environment Management System

ISO45001: 2018: Occupational Health and Safety

IEC62941: Guideline for module design qualification and type approval

# LONGI



**22.5%**  
MAX MODULE  
EFFICIENCY

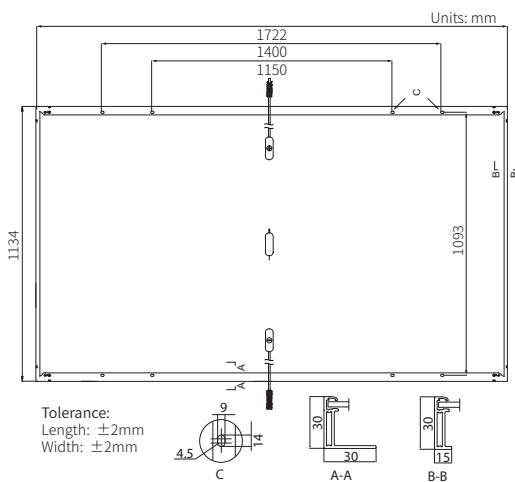
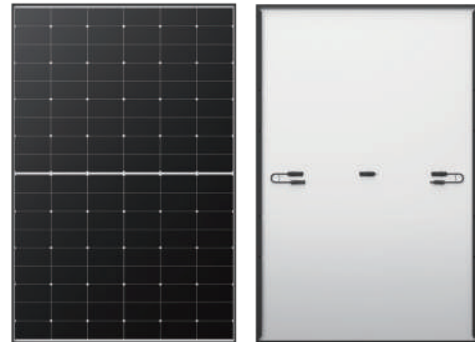
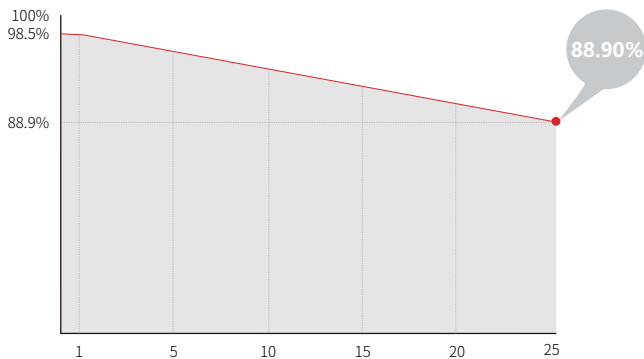
**0~3%**  
POWER  
TOLERANCE

**<1.5%**  
FIRST YEAR  
POWER DEGRADATION

**0.40%**  
YEAR 2-25  
POWER DEGRADATION

## Additional Value

25-Year Power Warranty



## Mechanical Parameters

Cell Orientation	108 (6×18)
Junction Box	IP68
Output Cable	4mm <sup>2</sup> , ±1200mm length can be customized
Glass	Single glass, 3.2mm coated tempered glass
Frame	Anodized aluminum alloy frame
Weight	20.8kg
Dimension	1722×1134×30mm
Packaging	36pcs per pallet / 216pcs per 20' GP / 936pcs per 40' HC

## Electrical Characteristics

STC : AM1.5 1000W/m<sup>2</sup> 25°C      NOCT : AM1.5 800W/m<sup>2</sup> 20°C 1m/s      Test uncertainty for Pmax: ±3%

Module Type	LR5-54HTH-420M		LR5-54HTH-425M		LR5-54HTH-430M		LR5-54HTH-435M		LR5-54HTH-440M	
	STC	NOCT	STC	NOCT	STC	NOCT	STC	NOCT	STC	NOCT
Maximum Power (Pmax/W)	420	314	425	318	430	321	435	325	440	329
Open Circuit Voltage (Voc/V)	38.73	36.36	38.93	36.55	39.13	36.74	39.33	36.93	39.53	37.11
Short Circuit Current (Isc/A)	14.00	11.31	14.07	11.36	14.15	11.43	14.22	11.49	14.30	11.55
Voltage at Maximum Power (Vmp/V)	32.44	29.60	32.64	29.78	32.84	29.97	33.04	30.15	33.24	30.33
Current at Maximum Power (Imp/A)	12.95	10.60	13.03	10.67	13.10	10.72	13.17	10.78	13.24	10.85
Module Efficiency(%)	21.5		21.8		22.0		22.3		22.5	

## Operating Parameters

Operational Temperature	-40°C ~ +85°C
Power Output Tolerance	0 ~ 3%
Voc and Isc Tolerance	±3%
Maximum System Voltage	DC1500V (IEC/UL)
Maximum Series Fuse Rating	25A
Nominal Operating Cell Temperature	45±2°C
Protection Class	Class II
Fire Rating	UL type 1 or 2 IEC Class C

## Mechanical Loading

Front Side Maximum Static Loading	5400Pa
Rear Side Maximum Static Loading	2400Pa
Hailstone Test	25mm Hailstone at the speed of 23m/s

## Temperature Ratings (STC)

Temperature Coefficient of Isc	+0.050%/°C
Temperature Coefficient of Voc	-0.230%/°C
Temperature Coefficient of Pmax	-0.290%/°C